

OVAL- instructions.

To install lock cylinder.

1. Fit drive cam provided to cylinder
2. Insert cylinder & seat cam
3. Insert insulated retaining pin provided

NOTE: The face cover can be glued down to protect screw fixings

Maximum current ratings.

AC1 10 amp 440v

DC1 10 amp 24v

Ensure that all terminals are **tight**

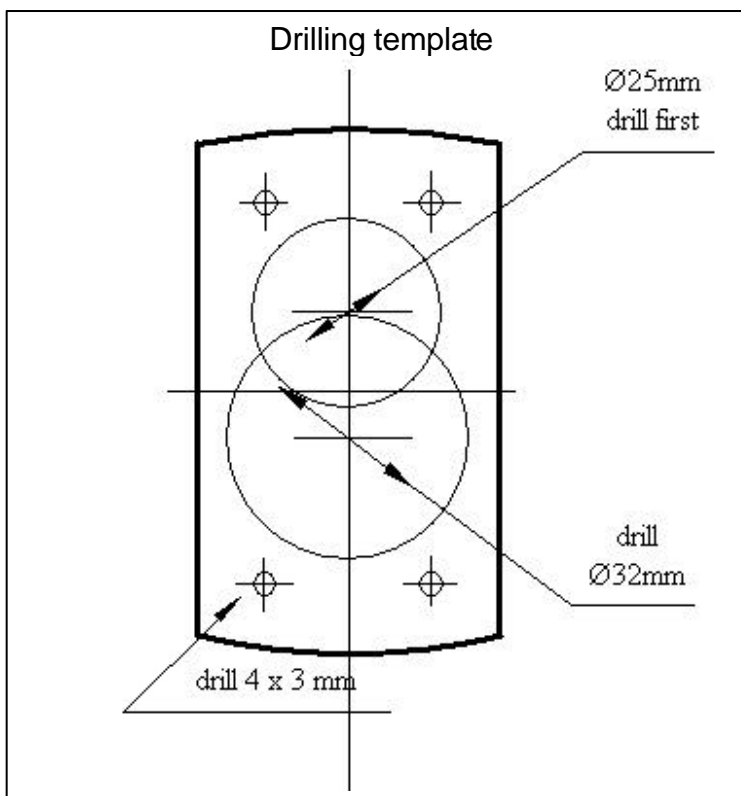
Wiring circuit

Maximum 2 x 1.5mm wires per terminal

Caution:-

Only use insulated cylinder retainer provided
Mains power must only be wired by a licensed electrician.
©copyright Lock It Well. design reg. Pending.

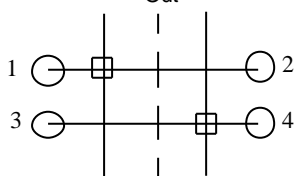
LOCK IT WELL



OVAL 1 wiring circuit

Lazy cam off / on

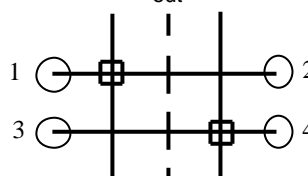
Off Key On
Out Out



OVAL 3 wiring circuit

Spring return to centre

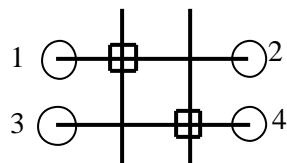
Raise key lower
out out



OVAL 2 wiring circuit

Spring return off / on

Off On



OVAL 4 wiring circuit

Captive on

Off On

